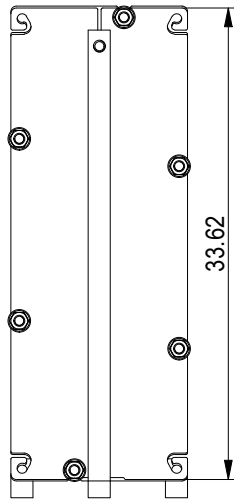
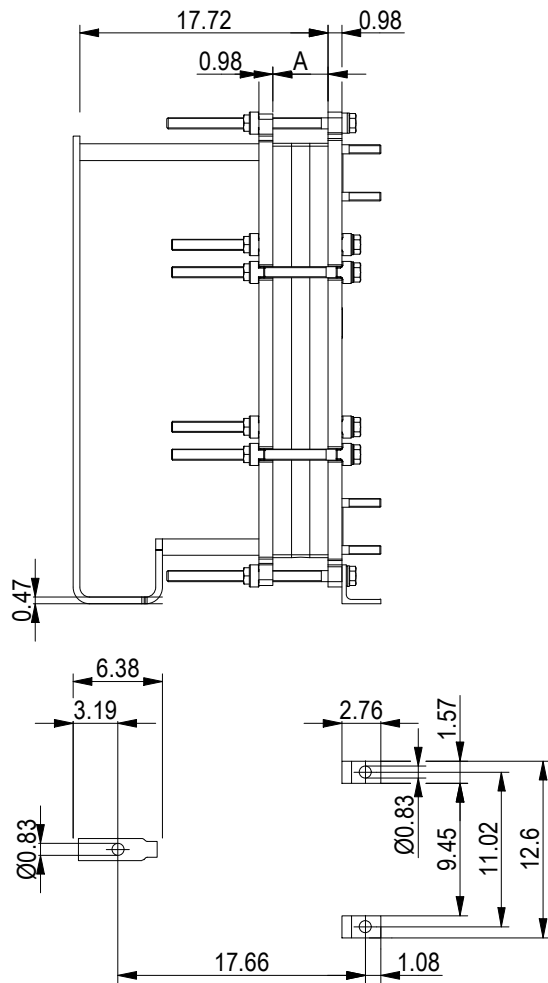


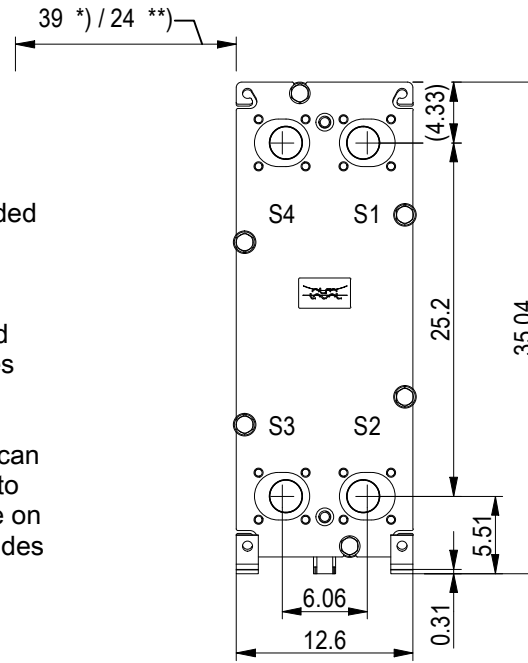
PRESSURE PLATE
(MOVABLE)



Space between pressure plate and supporting column should be kept free from fixed installations!



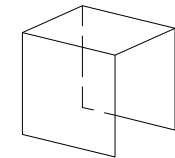
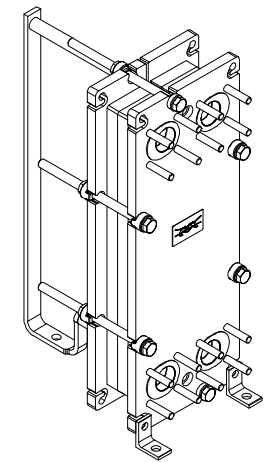
FRAME PLATE



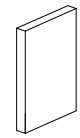
*) Recommended free space for opening and closing to be applied on both sides

**) Free space can be reduced to this distance on one of the sides

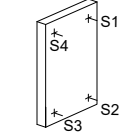
All dimensions in inches



PROTECTION SHEET

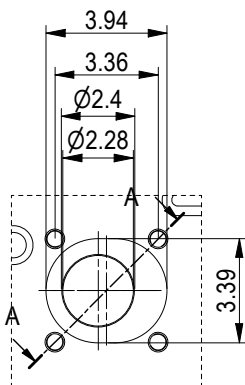


PRESSURE PLATE

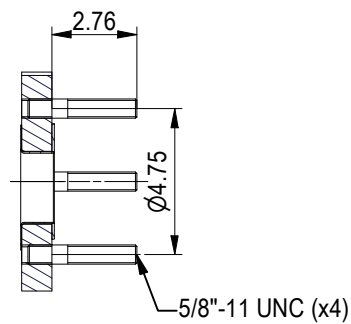


FRAME PLATE

ASME B16.5 Class 150 NPS 2
S1, S2, S3, S4



A-A:
ALLOY 316



NO. OF UNITS

1

null GPM
null GPM

APPROX. OUTER DIMENSIONS

LENGTH 23.2 in
WIDTH 13.0 in
HEIGHT 34.6 in

APPROX. WEIGHTS

NET WEIGHT, EMPTY 351 lb
WEIGHT FULL OF WATER 382 lb
PLATE MATERIAL ALLOY 316
PLATE THICKNESS 0.5 mm
GASKET NBRP ClipGrip™
AREA OF HEAT SURFACE null ft²
CHANNEL ARRANGEMENT 1*27 MH / 1*27 ML



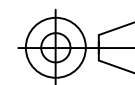
www.alfalaval.com

DRAWING
GASKETED PLATE HEAT EXCHANGER

T6-BFG

ASME
Code Section VIII Div.1

MAWP 150 psi at 150.1 °F
MDMT 32.0 °F at 150 psi
Designed and constructed in accordance with the 2019 ASME Code.



8240152979
T6-BFG, 55 plates

Do not use this drawing for foundation bolting or piping layout

DATE 4/27/22
REVISION 0